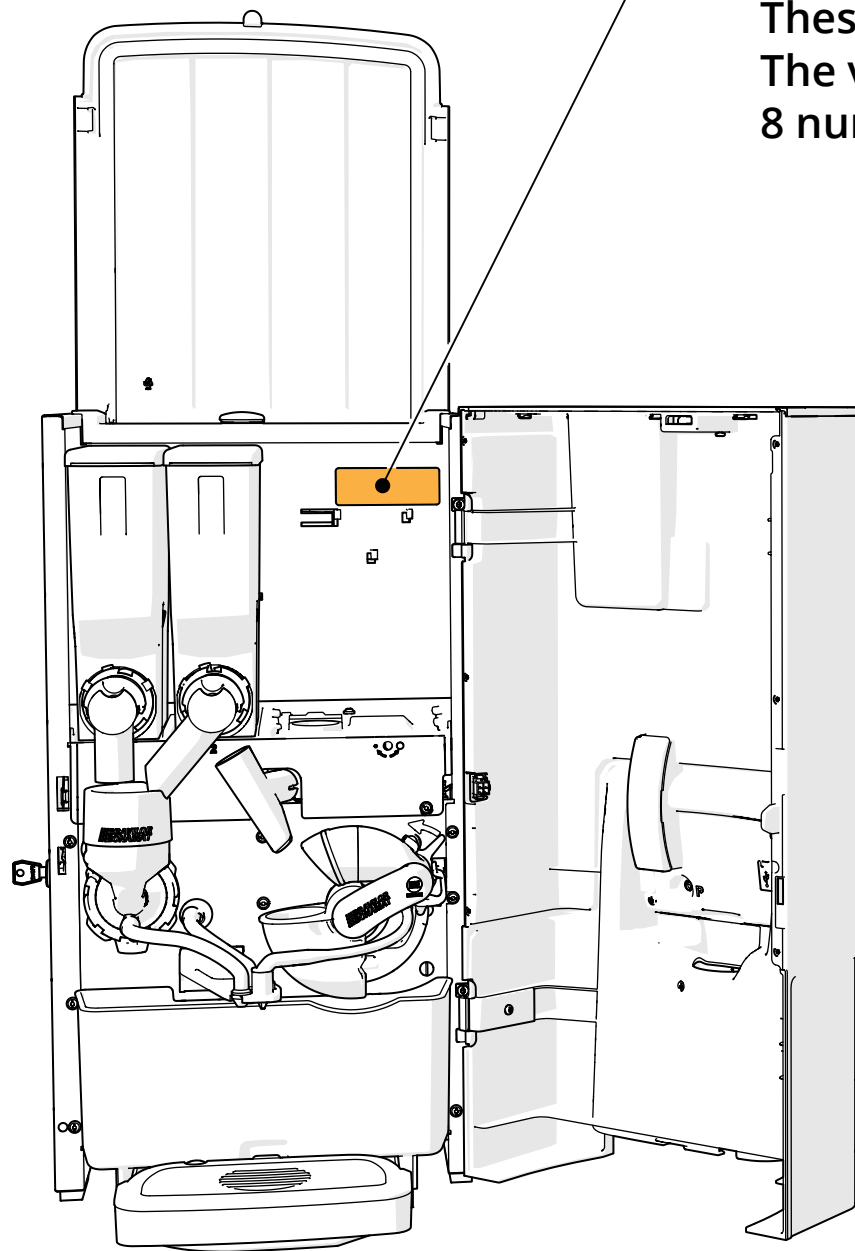
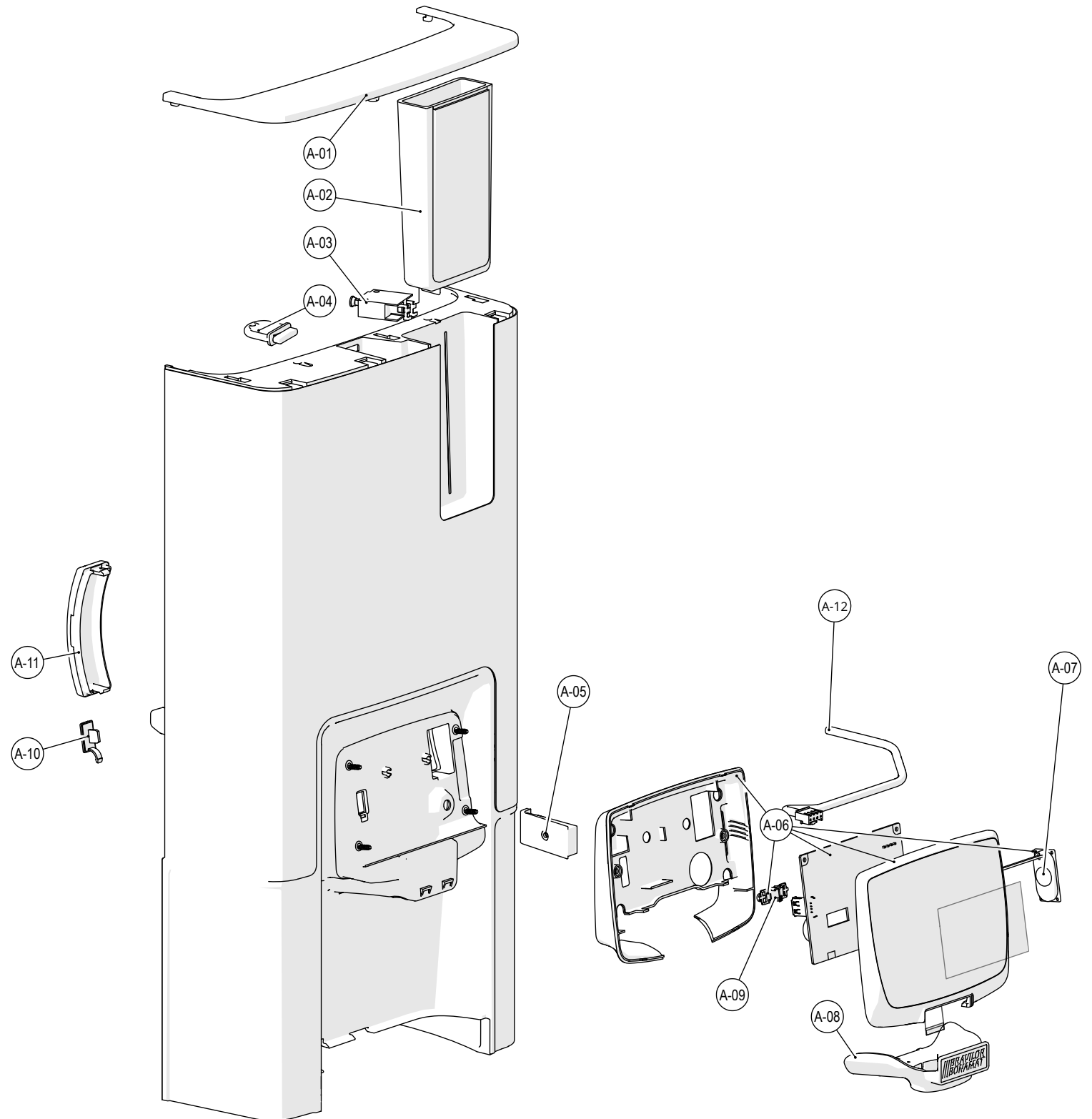


## **Note:**

These exploded views apply only to version 2.0.  
The version can be determined from the 9th digit of the  
8 number on the nameplate (8.xxx.xxx.x2xxx).



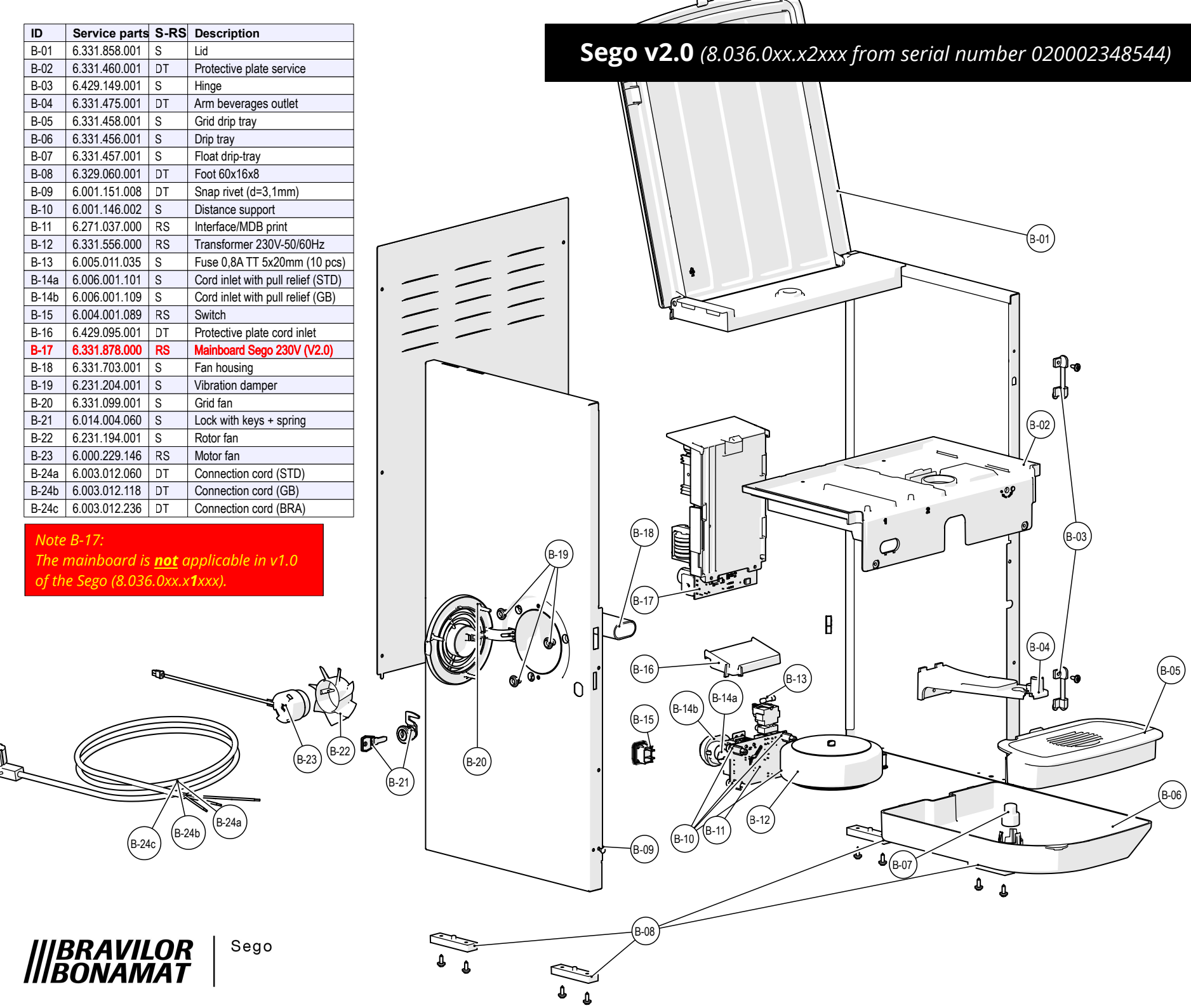
ID	Service parts	S-RS	Description
A-01	6.331.466.001	S	Lid door
A-02	6.331.467.001	DT	Bin for ornamental beans
A-03	6.331.597.000	RS	Doorswitch incl. connector
A-04	6.231.044.001	S	Service key
A-05	6.331.484.001	DT	Cover hinge
A-06	6.000.331.048	RS	Service panel (assy)
A-07	6.331.107.000	S	Speaker
A-08	6.331.465.100	S	Outlet cover chrome
A-09	6.402.002.001	S	Push button grey
A-10	6.268.393.001	DT	USB cover
A-11	6.331.468.001	S	Cover cable
A-12	6.268.418.000	S	Wire 4-poll. l=1100



ID	Service parts	S-RS	Description
B-01	6.331.858.001	S	Lid
B-02	6.331.460.001	DT	Protective plate service
B-03	6.429.149.001	S	Hinge
B-04	6.331.475.001	DT	Arm beverages outlet
B-05	6.331.458.001	S	Grid drip tray
B-06	6.331.456.001	S	Drip tray
B-07	6.331.457.001	S	Float drip-tray
B-08	6.329.060.001	DT	Foot 60x16x8
B-09	6.001.151.008	DT	Snap rivet (d=3,1mm)
B-10	6.001.146.002	S	Distance support
B-11	6.271.037.000	RS	Interface/MDB print
B-12	6.331.556.000	RS	Transformer 230V-50/60Hz
B-13	6.005.011.035	S	Fuse 0,8A TT 5x20mm (10 pcs)
B-14a	6.006.001.101	S	Cord inlet with pull relief (STD)
B-14b	6.006.001.109	S	Cord inlet with pull relief (GB)
B-15	6.004.001.089	RS	Switch
B-16	6.429.095.001	DT	Protective plate cord inlet
<b>B-17</b>	<b>6.331.878.000</b>	<b>RS</b>	<b>Mainboard Sego 230V (V2.0)</b>
B-18	6.331.703.001	S	Fan housing
B-19	6.231.204.001	S	Vibration damper
B-20	6.331.099.001	S	Grid fan
B-21	6.014.004.060	S	Lock with keys + spring
B-22	6.231.194.001	S	Rotor fan
B-23	6.000.229.146	RS	Motor fan
B-24a	6.003.012.060	DT	Connection cord (STD)
B-24b	6.003.012.118	DT	Connection cord (GB)
B-24c	6.003.012.236	DT	Connection cord (BRA)

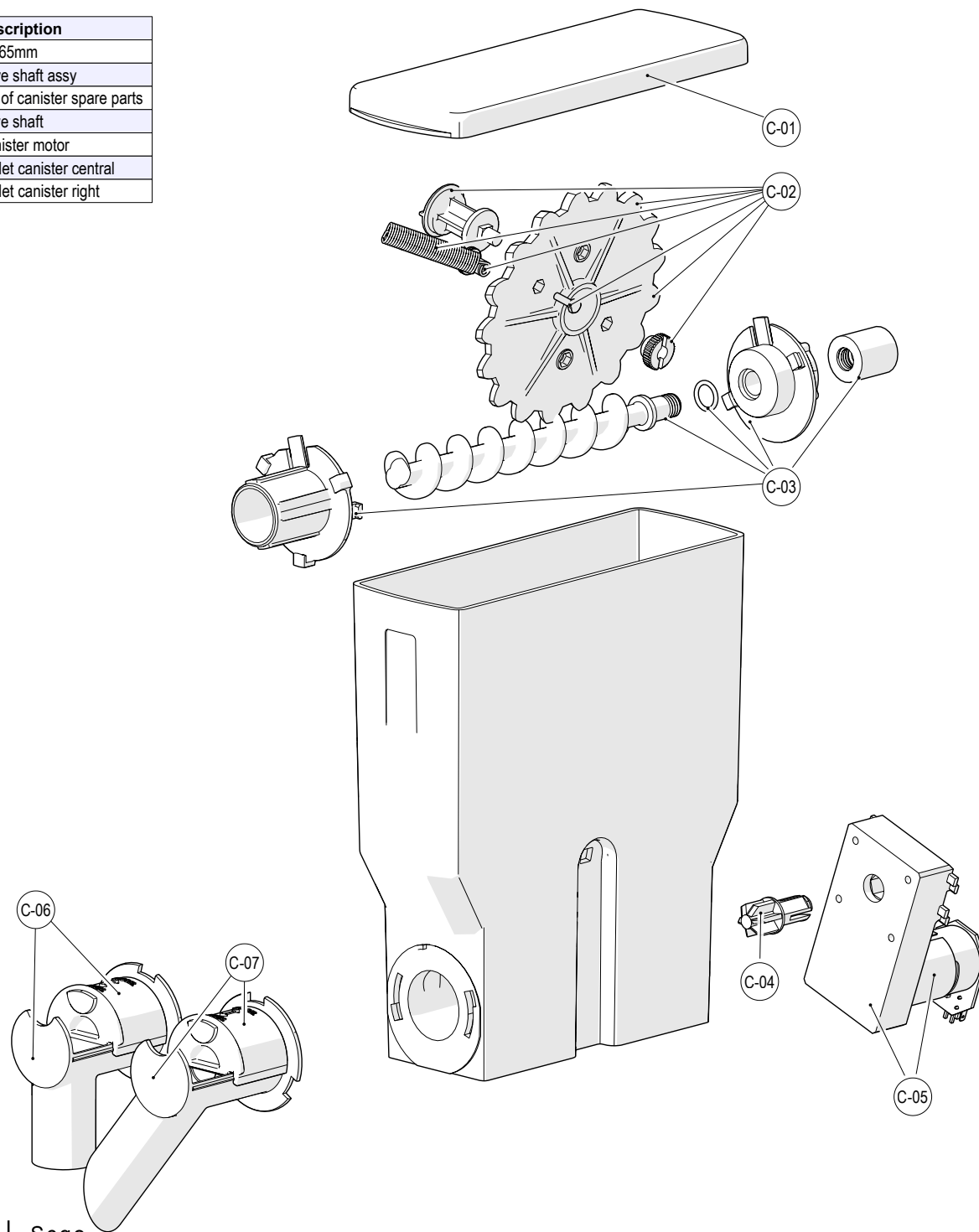
# Sego v2.0 (8.036.0xx.x2xxx from serial number 020002348544)

**Note B-17:**  
The mainboard is **not** applicable in v1.0 of the Sego (8.036.0xx.x1xxx).



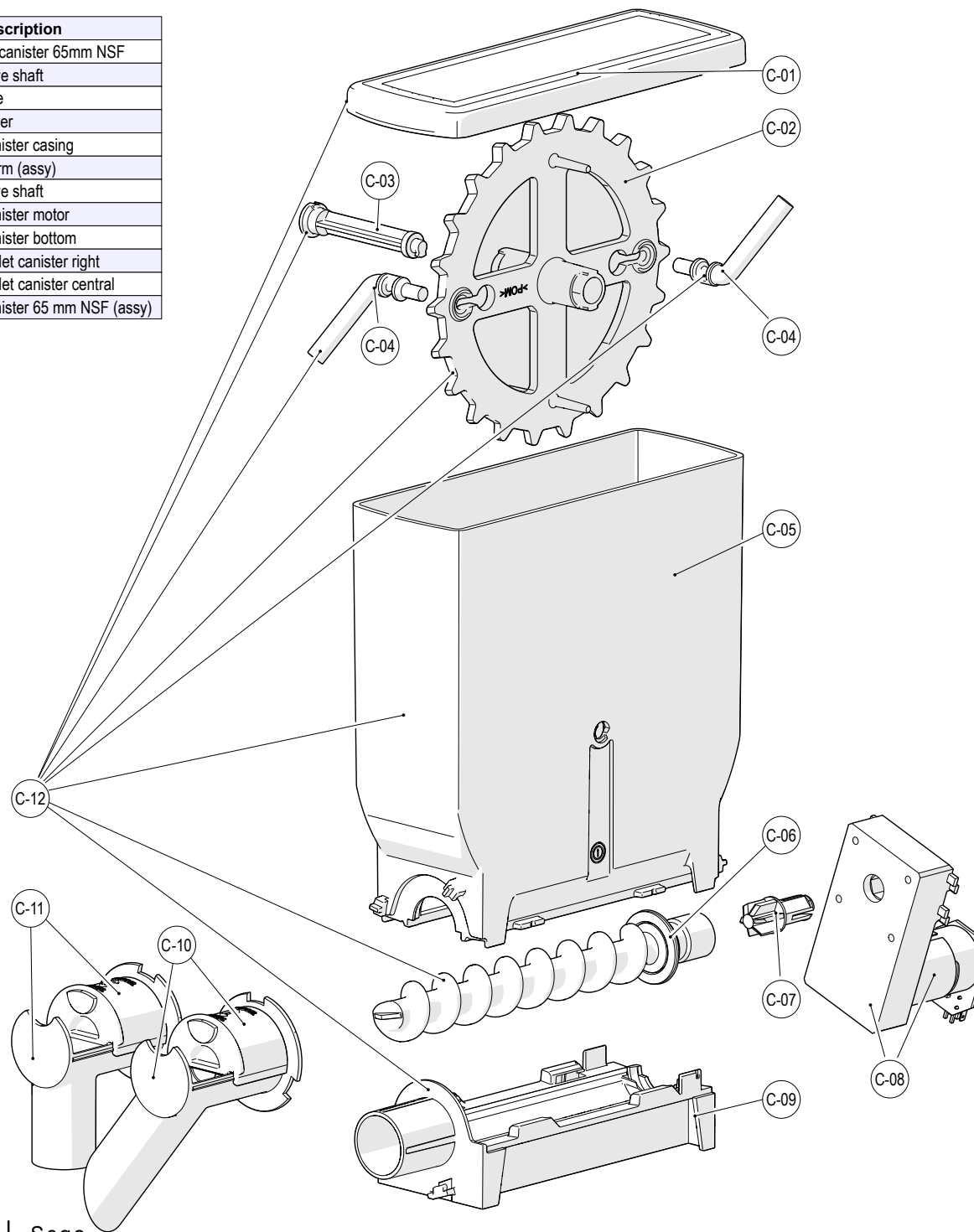
ID	Service parts	S-RS	Description
C-01	6.229.273.001	S	Lid 65mm
C-02	6.000.229.102	S	Drive shaft assy
C-03	6.000.229.122	S	Set of canister spare parts
C-04	6.030.074.005	S	Drive shaft
C-05	6.331.750.000	RS	Canister motor
C-06	6.329.248.000	S	Outlet canister central
C-07	6.329.167.000	S	Outlet canister right

**Sego till 01-nov-2018**

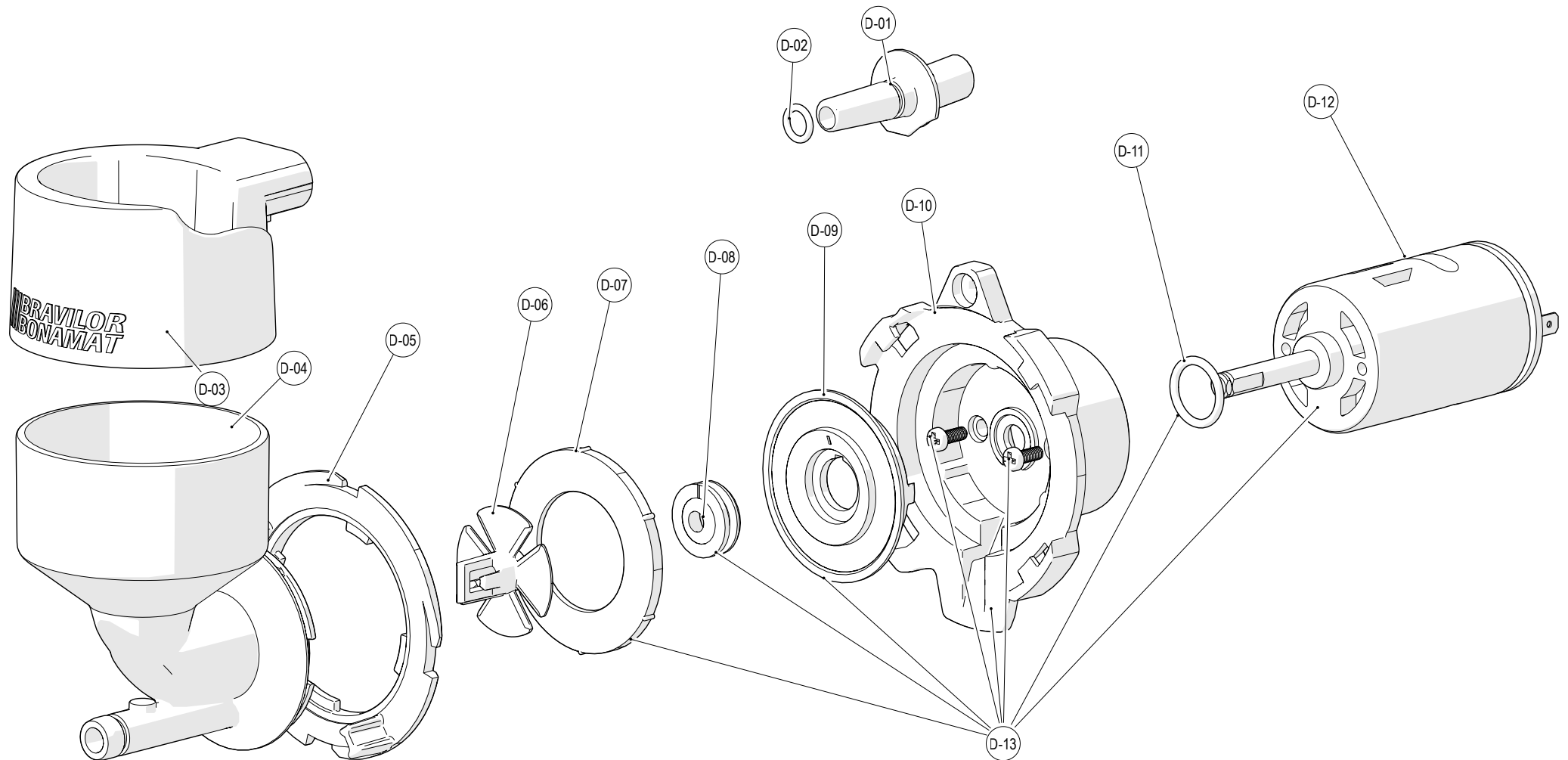


**Sego from 01-nov-2018**

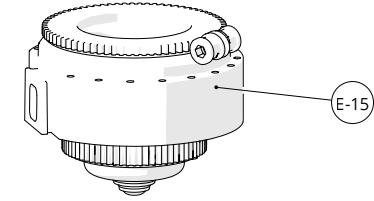
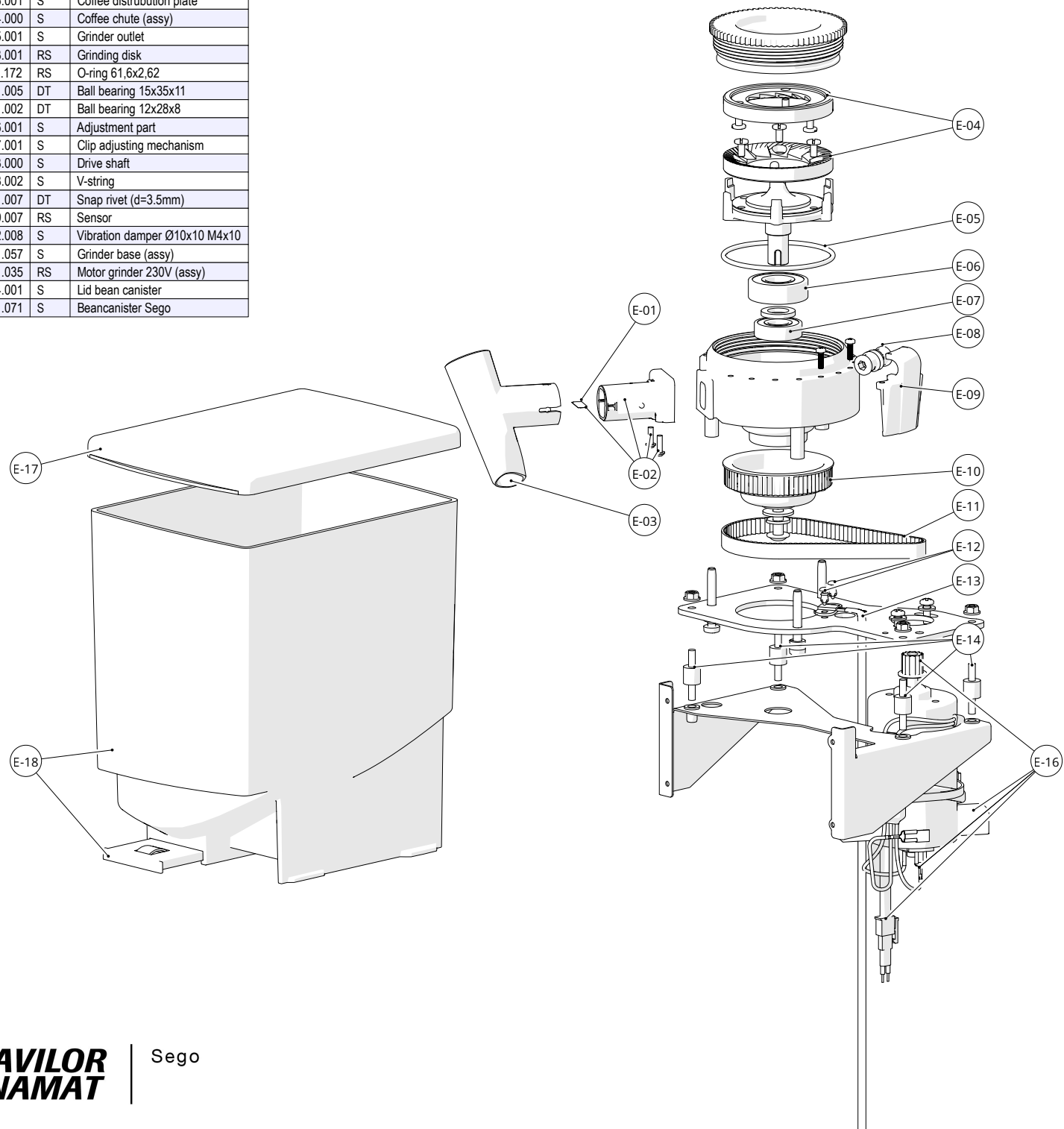
ID	Service parts	S-RS	Description
C-01	6.329.480.000	S	Lid canister 65mm NSF
C-02	6.329.477.001	S	Drive shaft
C-03	6.329.486.001	S	Axle
C-04	6.329.478.001	S	Wiper
C-05	6.329.476.001	S	Canister casing
C-06	6.000.229.219	S	Worm (assy)
C-07	6.030.074.005	S	Drive shaft
C-08	6.331.750.000	RS	Canister motor
C-09	6.329.474.001	S	Canister bottom
C-10	6.329.167.000	S	Outlet canister right
C-11	6.329.248.000	S	Outlet canister central
C-12	6.000.229.183	S	Canister 65 mm NSF (assy)



ID	Service parts	S-RS	Description
D-01	6.329.988.001	S	Fill Tube Mixer Bowls
D-02	6.011.001.152	S	O-ring
D-03	6.331.857.001	S	Condense reservoir
D-04	6.331.856.001	S	Mixing chamber 6 mm
D-05	6.229.809.001	S	Fastening ring
D-06	6.229.803.001	S	Whipper disk
D-07	6.229.806.001	S	Rubber seal mixer
D-08	6.030.071.020	S	Rubber seal mixer
D-09	6.229.807.001	S	Holder rubber seal
D-10	6.229.810.001	S	Plate mixer moter
D-11	6.011.001.094	RS	O-ring 13x2
D-12	6.030.070.022	RS	Mixer motor
D-13	6.000.229.085	RS	Mixer motor complete



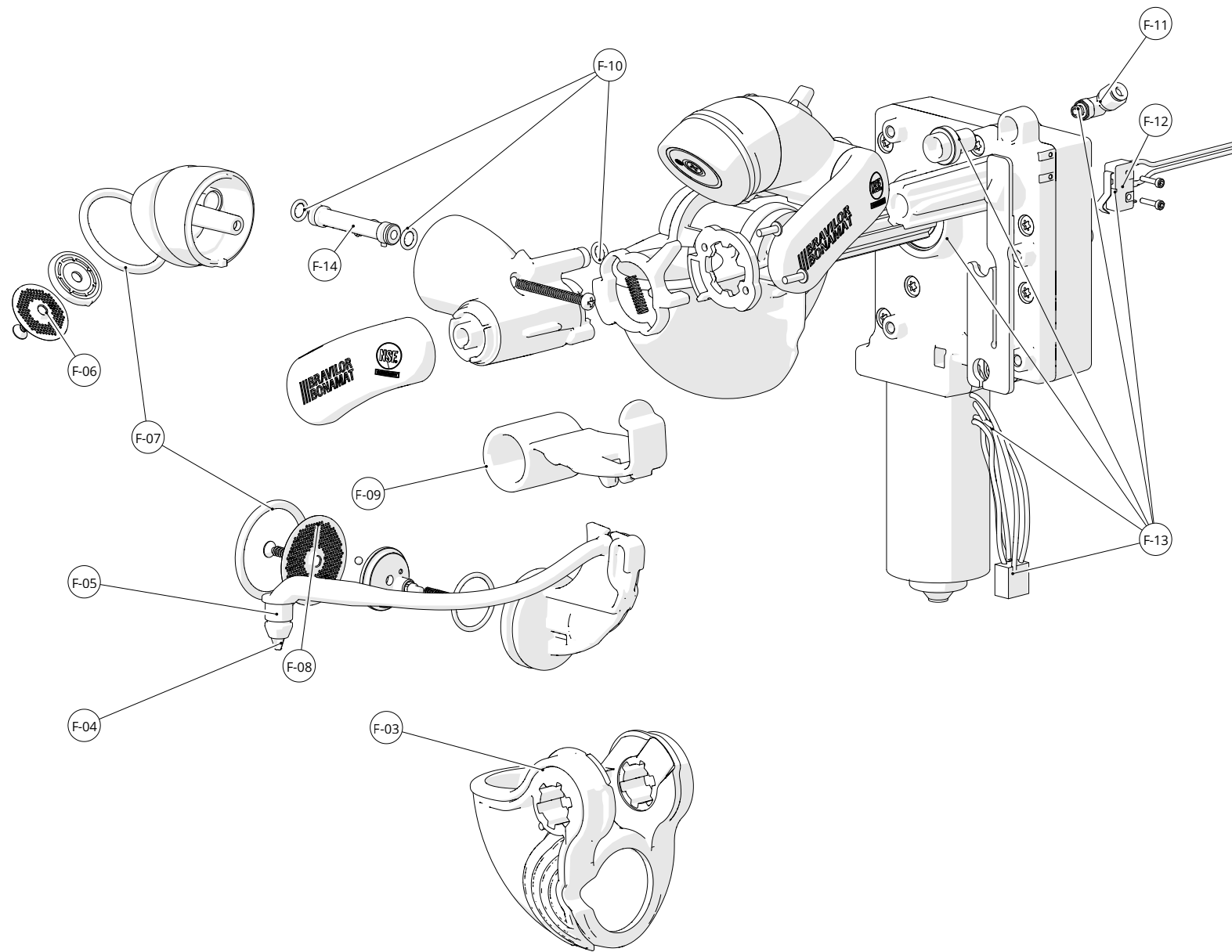
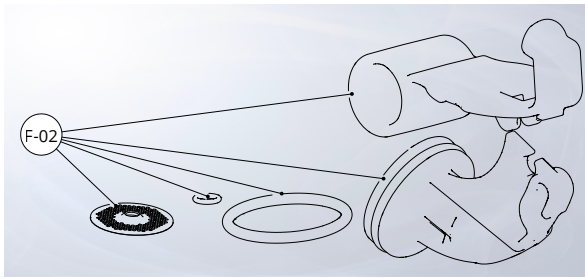
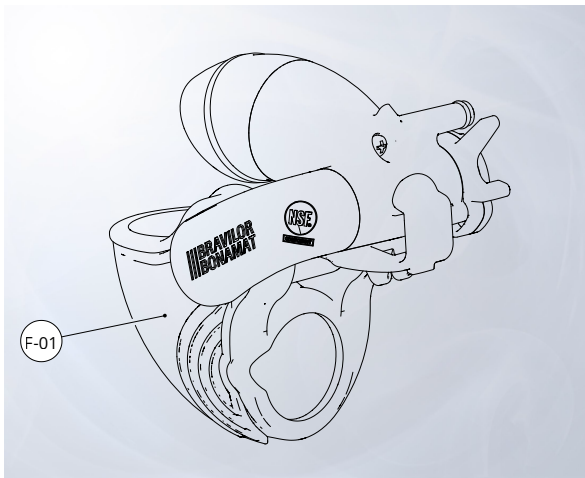
ID	Service parts	S-RS	Description
E-01	6.331.506.001	S	Coffee distribution plate
E-02	6.331.504.000	S	Coffee chute (assy)
E-03	6.331.505.001	S	Grinder outlet
E-04	6.331.433.001	RS	Grinding disk
E-05	6.011.001.172	RS	O-ring 61,6x2,62
E-06	6.018.021.005	DT	Ball bearing 15x35x11
E-07	6.018.021.002	DT	Ball bearing 12x28x8
E-08	6.331.426.001	S	Adjustment part
E-09	6.331.427.001	S	Clip adjusting mechanism
E-10	6.331.253.000	S	Drive shaft
E-11	6.017.008.002	S	V-string
E-12	6.001.151.007	DT	Snap rivet (d=3.5mm)
E-13	6.030.079.007	RS	Sensor
E-14	6.001.152.008	S	Vibration damper Ø10x10 M4x10
E-15	6.000.331.057	S	Grinder base (assy)
E-16	6.000.431.035	RS	Motor grinder 230V (assy)
E-17	6.229.274.001	S	Lid bean canister
E-18	6.000.331.071	S	Beancanister Sego



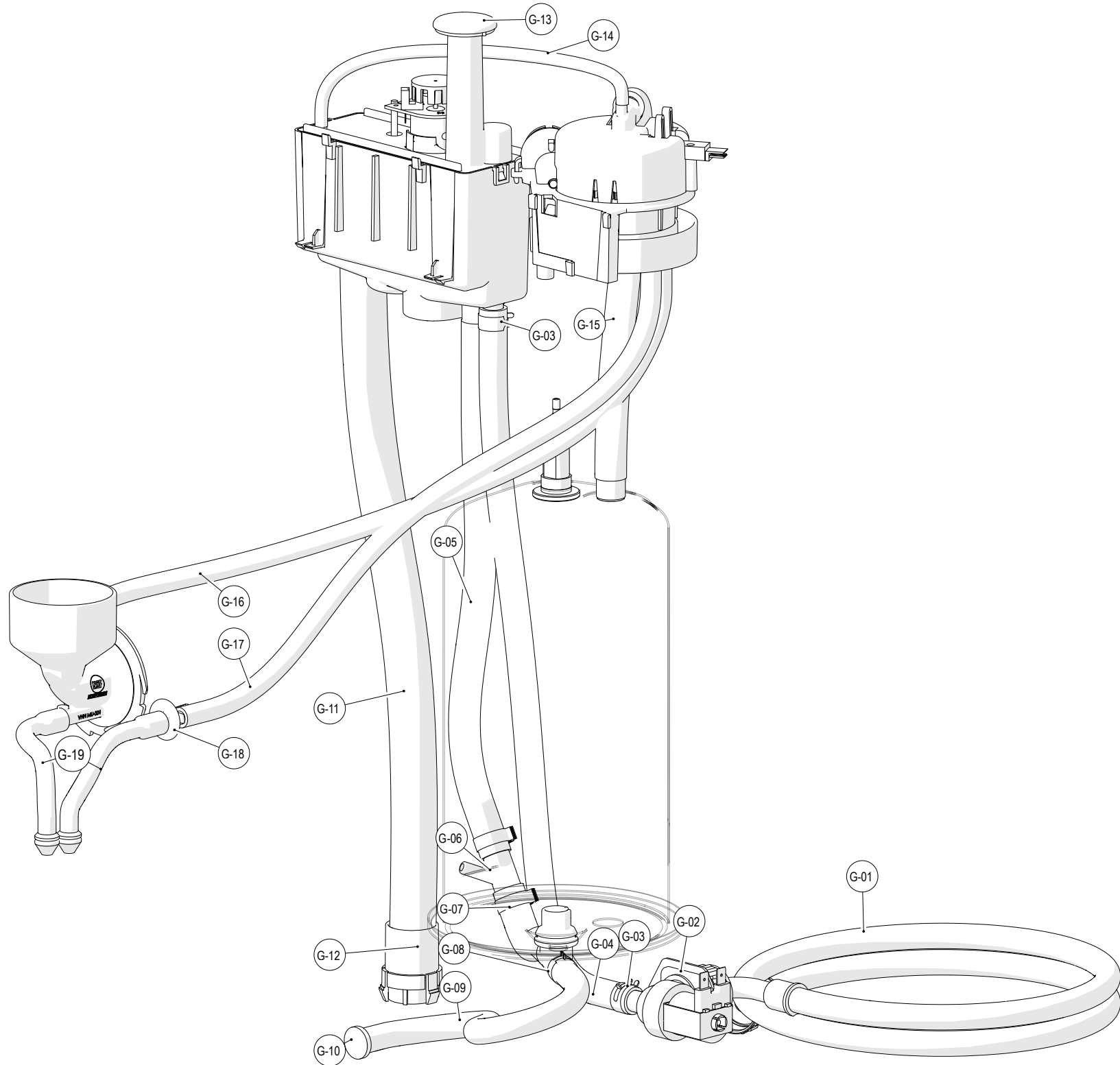
# Circo-Brewer update 23-10-2024

ID	Service parts	S-RS	Description
F-01	6.000.331.112	S	CIRCO-brewer 2.0
F-02	6.000.431.036	S	CIRCO-brewer 2.0 service set
F-03	6.000.331.114	S	Cylinder 2.0
F-04	6.331.502.001	S	Jet straightener outlet
F-05	6.331.501.001	S	Hose outlet rotation brewer
F-06	6.013.004.054	RS	Sieve micro filter ø25 flat
F-07	6.011.001.206	S	O-ring d 32,92 x 3,53 VMQ 60
F-08	6.013.004.053	RS	Sieve micro filter (flat)
F-09	6.331.423.001	S	Mounting bracket plunger
F-10	6.011.001.152	S	O-ring 6,02x1,63
F-11	6.013.001.211	S	Coupling D=4 G=M5
F-12	6.233.032.000	RS	Switch complete
F-13	6.000.331.050	RS	Motor CIRCO-brewer (assy)
F-14	6.331.417.001	S	Tube water supply

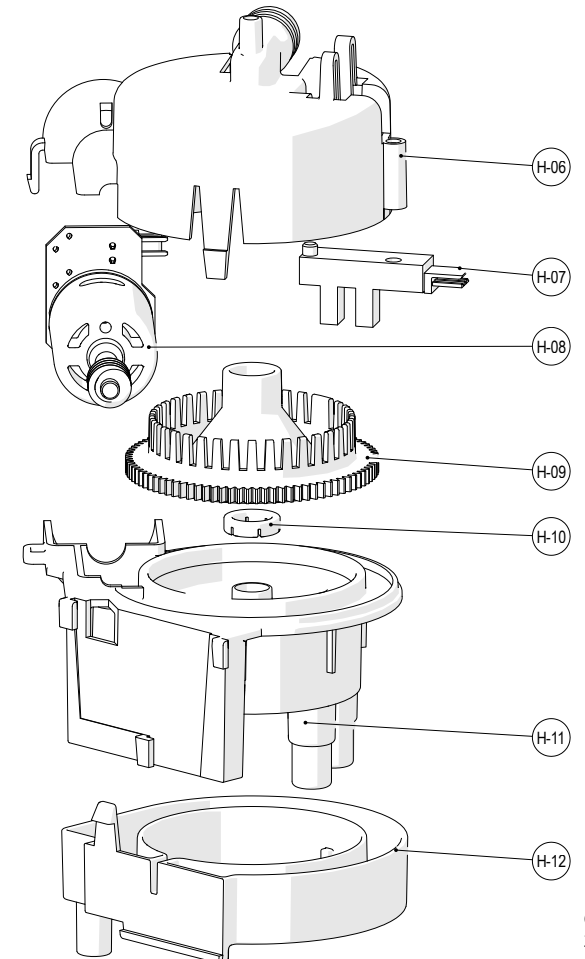
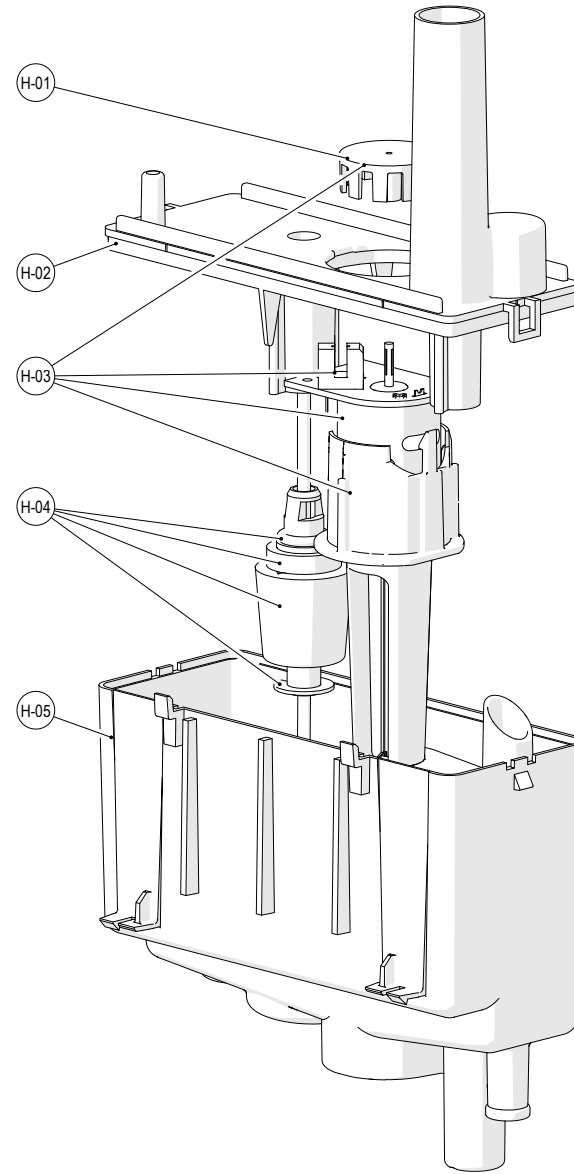
**Note:**  
F-03 includes adapted grinder outlet and adapted arm beverage outlet



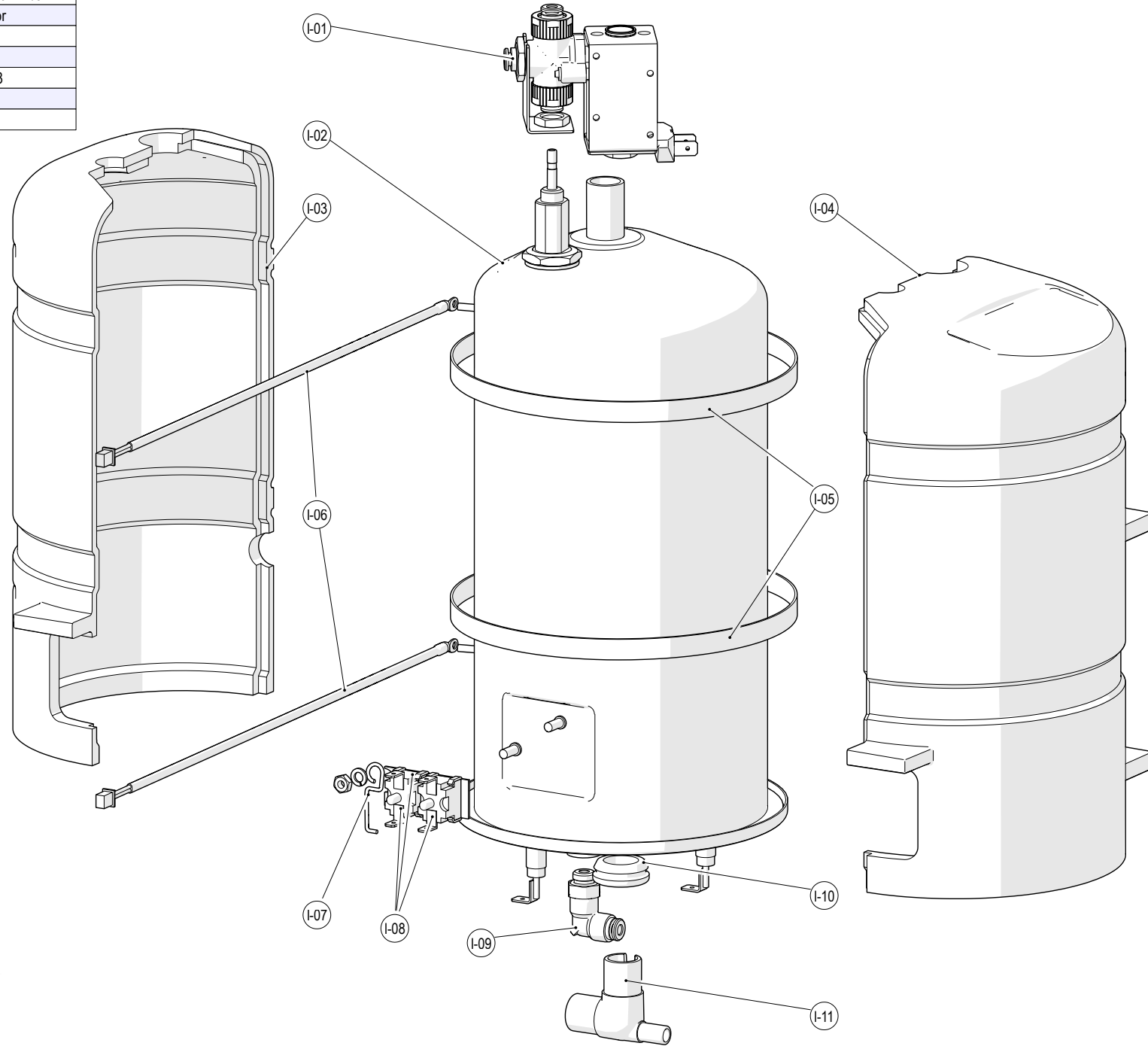
ID	Service parts	S-RS	Description	mm
G-01	6.000.205.111	S	Connection hose	1150
G-02	6.016.001.133	RS	Magnetic valve 2l/min.	
G-03	6.001.079.003	S	Tube clamp 15.6 mm	
G-04	6.019.033.014	S	Silicone tube 3 x 9.5	450
G-05	6.019.033.013	S	Silicone tube 11,5 x 3.0	370
G-06	6.267.307.001	S	Y-piece	
G-07	6.019.033.013	S	Silicone tube 11,5 x 3.0	40
G-08	6.001.079.001	S	Tube clamp 15.6 mm	
G-09	6.263.081.001	S	Drain hose	500
G-10	6.006.002.018	S	Tightening plug 10.5 mm	
G-11	6.236.353.001	S	Overflow tube	420
G-12	6.229.760.001	S	Nipple	
G-13	6.402.010.001	S	Descaling plug	
G-14	6.019.033.009	S	Silicone tube 4 x 1.5	250
G-15	6.331.904.001	S	Tube 11,5x3/curve 80°	
G-16	6.019.033.004	S	Silicone tube 7.5 x 2	445
G-17	6.019.033.004	S	Silicone tube 7.5 x 2	445
G-18	6.429.043.001	S	Coupling hot water tubes	
G-19	6.229.821.001	S	Outlet hose	



ID	Service parts	S-RS	Description
H-01	6.229.594.001	S	Positioning wheel
H-02	6.229.334.001	S	Lid pumpfloat tank
H-03	6.000.229.198	RS	Pump float tank 4000 rpm
H-04	6.229.891.001	S	Float
H-05	6.229.335.001	S	Pumpfloat tank
H-06	6.231.121.001	S	Lid water selector
H-07	6.004.026.001	RS	Light sensor
H-08	6.000.231.188	RS	Water selector motor (assy)
H-09	6.231.120.001	RS	Water rotation disk
H-10	6.229.761.001	S	Water sealing ring
H-11	6.231.825.001	S	Outlet waterselector 2
H-12	6.231.259.001	S	Lid water selector



ID	Service parts	S-RS	Description
I-01	6.016.001.129	RS	Magnetic valve 24V DC NC
I-02	6.000.331.020	RS	Boiler 230V 1850W
I-03	6.331.124.002	DT	Insulation part 2
I-04	6.331.124.001	DT	Insulation part 1
I-05	6.001.043.056	S	Tube clamp 25-150 mm/9 mm
I-06	6.331.485.000	RS	Temperature sensor
I-07	6.016.008.078	DT	Bracket
I-08	6.016.008.084	RS	Thermostat
I-09	6.013.001.212	S	Knee 4 mm x G1/8
I-10	6.231.191.001	S	Ring silicone
I-11	6.231.132.001	S	Supply boiler



# Sego v2.0 (8.036.0xx.x2xxx from serial number 020002348544)

ID	Service part	S-RS	Description	mm
J-01	6.013.001.267	S	Knee 4 mm x G1/8	
J-02	6.023.004.054	RS	Pump 230V - 50Hz 48W	
J-03	6.013.005.021	RS	Pressure relief valve	
J-04	6.013.001.237	S	Nipple tube support	
J-05	6.013.001.243	S	4-Way connector	
J-06	6.016.024.014	RS	Water counter	
J-07	6.013.001.231	S	Y-piece	
J-08	6.019.033.023	S	Silicon tube 4.0x3.0	120
J-09	6.019.033.023	S	Silicon tube 4.0x3.0	170
J-10	6.019.033.023	S	Silicon tube 4.0x3.0	120
J-11	6.019.033.025	S	Silicon tube 5.0x2.0	80
J-12	6.019.072.003	S	Tube 2.0 x 1.0	230
J-13	6.019.072.003	S	Tube 2.0 x 1.0	40
J-14	6.019.033.025	S	Silicon tube 5.0x2.0	40
J-15	6.019.072.003	S	Tube 2.0 x 1.0	300
J-16	6.000.331.086	S	Tube (reinforced) with dampers	
J-17	6.019.072.003	S	Tube 2.0 x 1.0	300
J-18	6.019.072.003	S	Tube 2.0 x 1.0	180
J-19	6.019.033.025	S	Silicon tube 5.0x2.0	360
J-20	6.001.043.055	S	Tube clamp 9.5 /7W4 (10 pcs)	
J-21	6.331.634.001	DT	Nipple overflow set	

**Note J-02:**  
The pumps are **not** applicable in v1.0 of the Seگو (8.036.0xx.x1xxx).

